

So Quiet...

You Won't Believe It's On!

Wall Mount

CH-181 Series (CH-181-SQB)



Appearance

Stainless Steel

•

Polished Edges

•

Performance

CFM

250 to 600

Sone / Decibel

1.0 to 4.5 / 40dB to 62dB

QuietMode™

1.0 Sone / 40dB

Features

Halogen Light

12V 20W x 2

Power Supply / Consumption

120V 60Hz / 180W 1.5A

No. of Speed

3 (Slide Switch)

Fan Type

Double Horizontal Squirrel Cage

Ducting Options

Top 6" Round / 7" Round Adapter

Filter

Baffle x 2

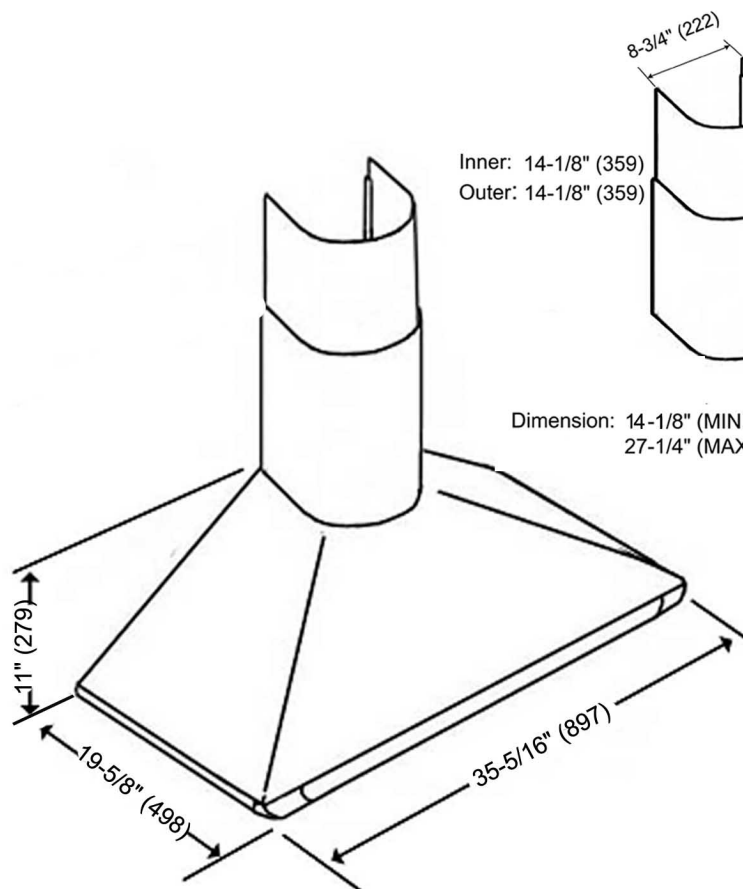
Optional Accessories

Stainless Steel Back Splash

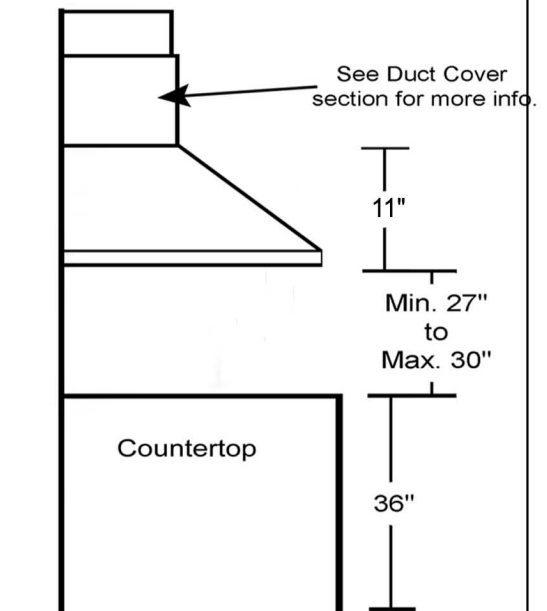
SSP36 (36" x 32")

Wall Mount
(36")

Duct Cover
Included



Information subject to change without notice.



See Duct Cover section for more info.

11"

Min. 27"
to
Max. 30"

Countertop

36"

*Building code may vary.